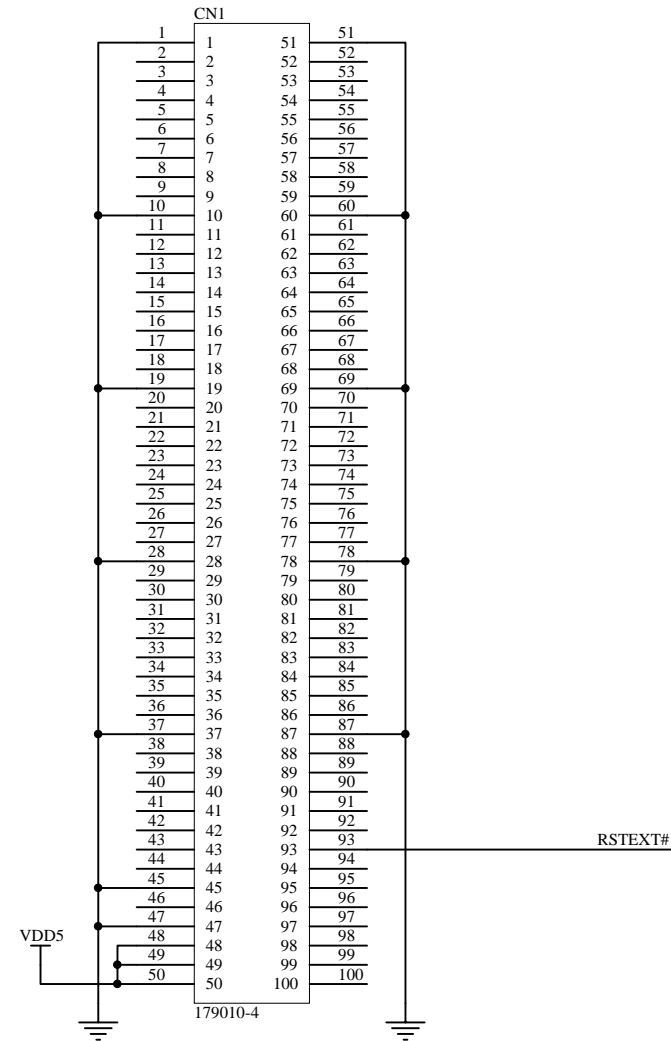
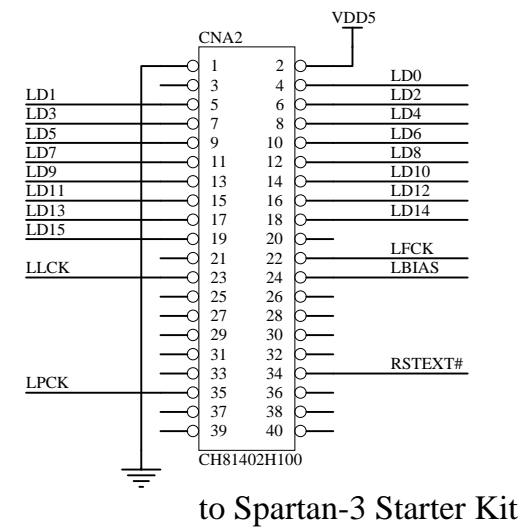
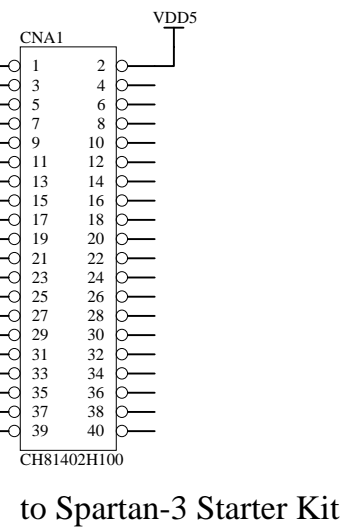
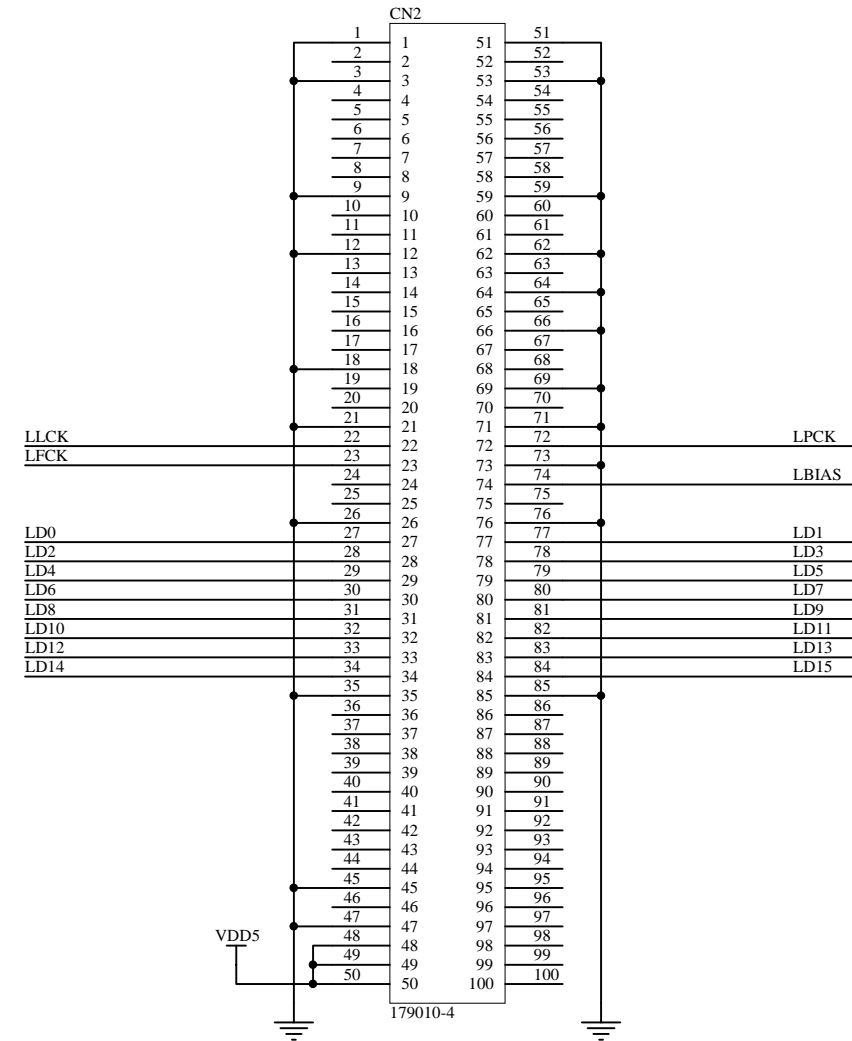


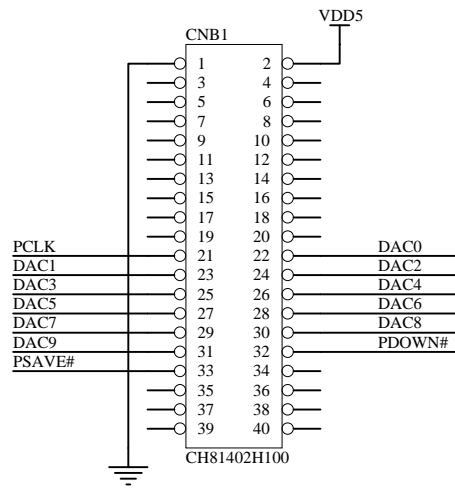
from E!Kit-1100



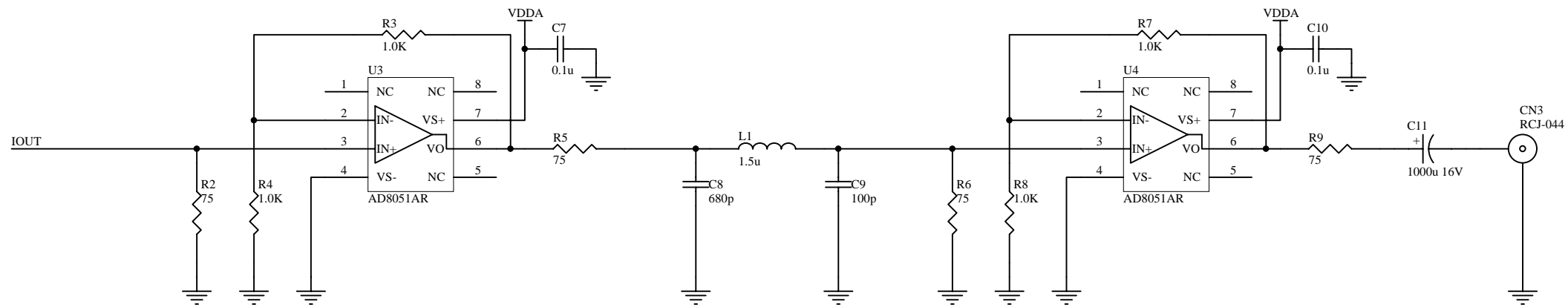
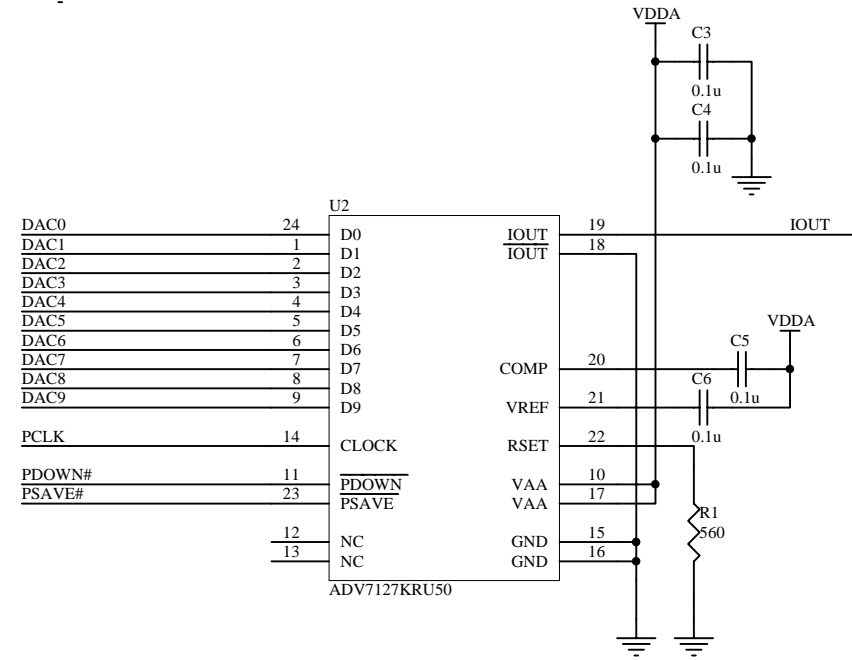
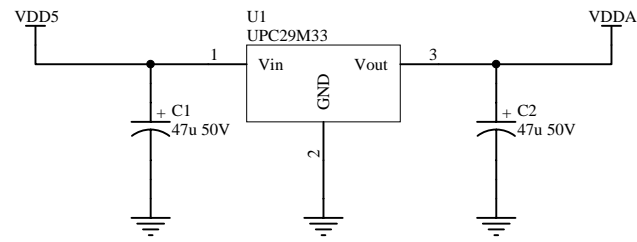
from E!Kit-1100



Title		
NTSC-Out		
Size	Number	Revision
A3		
Date:	17-Jun-2005	Sheet of 1
File:	O:\usr\pcb\vdac1.ddb	Drawn By: KAWAMOTO



from Spartan-3 Starter Kit



Title		
NTSC-Out		
Size	Number	Revision
A3		
Date:	17-Jun-2005	Sheet of 2
File:	O:\usr\pcb\vdac1.ddb	Drawn By: KAWAMOTO